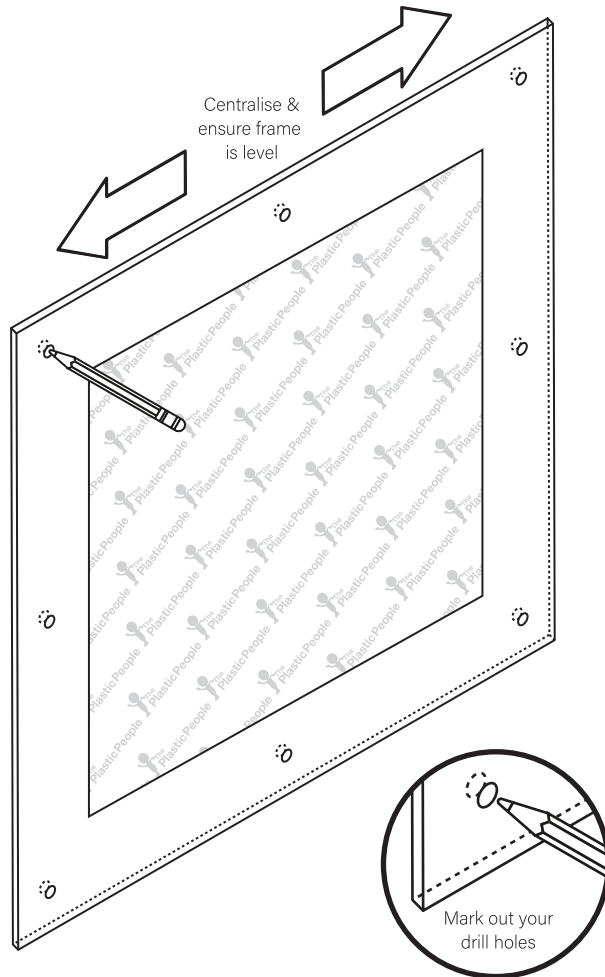


Acrylic Picture Frame | Installation Guide

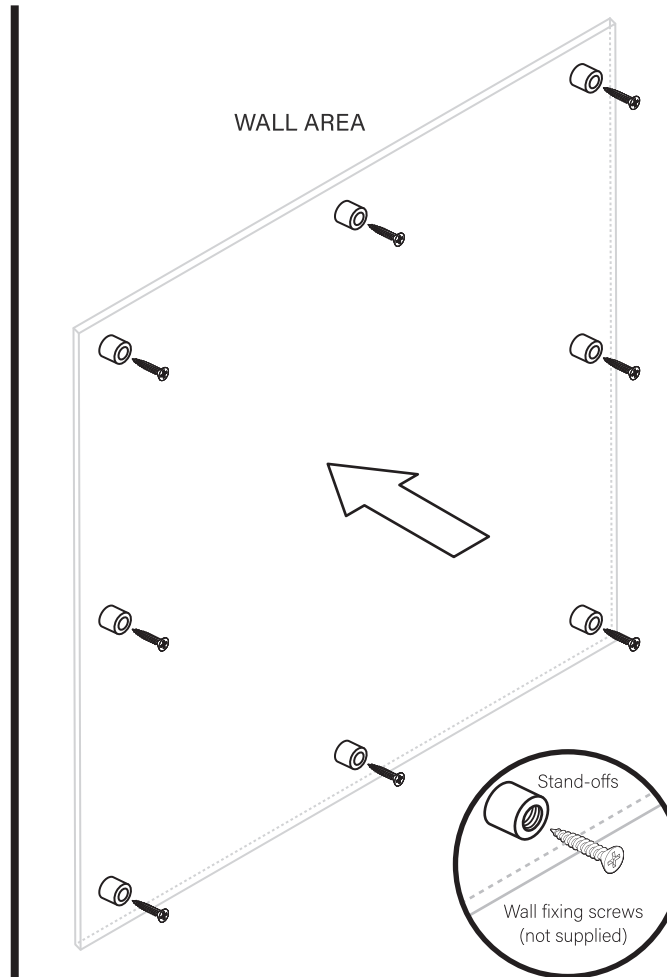
A step-by-step guide to installing your bespoke acrylic frame

NB: The wall fixing screws (**are not**) included in your kit as there are lots of different interior wall types. You'll need to buy something that will suit your wall type (Plaster, Solid, Brick) and also that will fit inside your stand-offs. Take your stand-offs with you and visit your local DIY store to find something suitable.



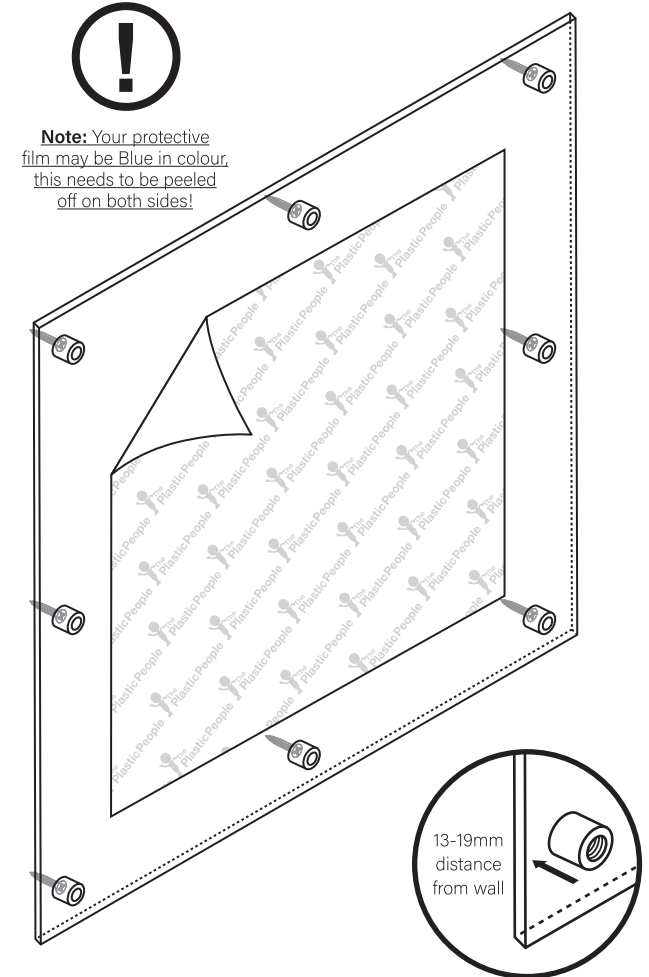
Step One

Unpack your acrylic frames and check that they are intact. Determine where you will put up your frame and using one piece of acrylic use the drill holes to make pencil marks on your wall as a guide to drill from (you may need help with this). Ensure everything is level and central to your environment. Use an appropriate drill bit for your wall-type and carefully make your holes.



Step Two

Now you have your holes add any raw/plugs into your drilled holes to help secure your wall fixing screws (not supplied). Now locate your stand-offs that will sandwich your acrylic sheets (with your artwork inbetween). Unscrew the stand-off bolts and set aside for now. Position stand-offs over your drill holes and start to add your wall fixing screws however many there are (see diagram).

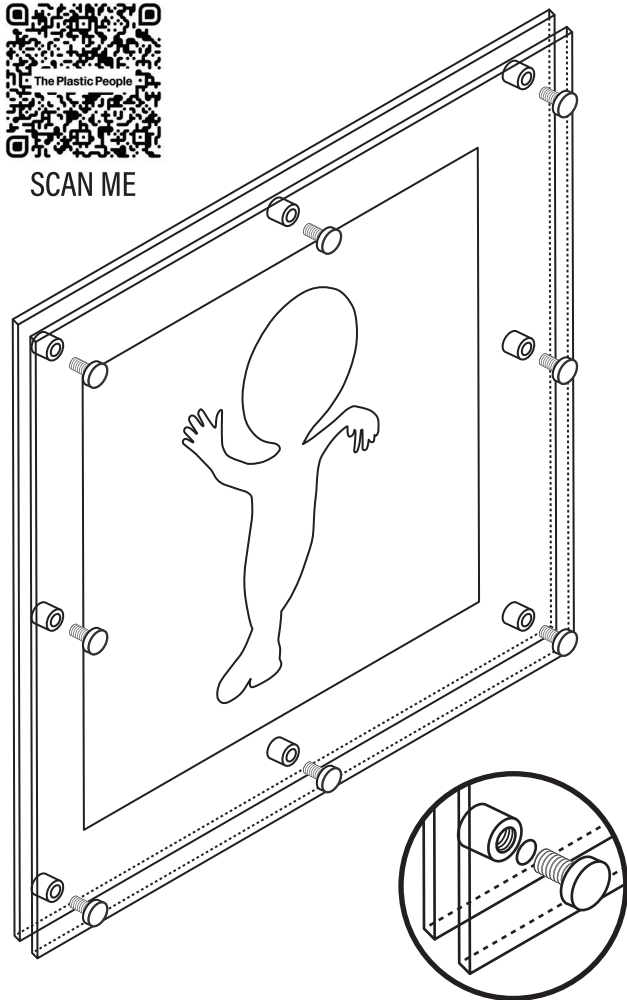


Step Three

Take one piece of acrylic and offer up to your secured stand-offs. Ensure they line up and you are happy. Remove any Blue film in place on your acrylic base and take your artwork or photograph and lightly place on using double sided or something similar. Ensure its central on all sides and clean before you add the top piece of acrylic.



SCAN ME

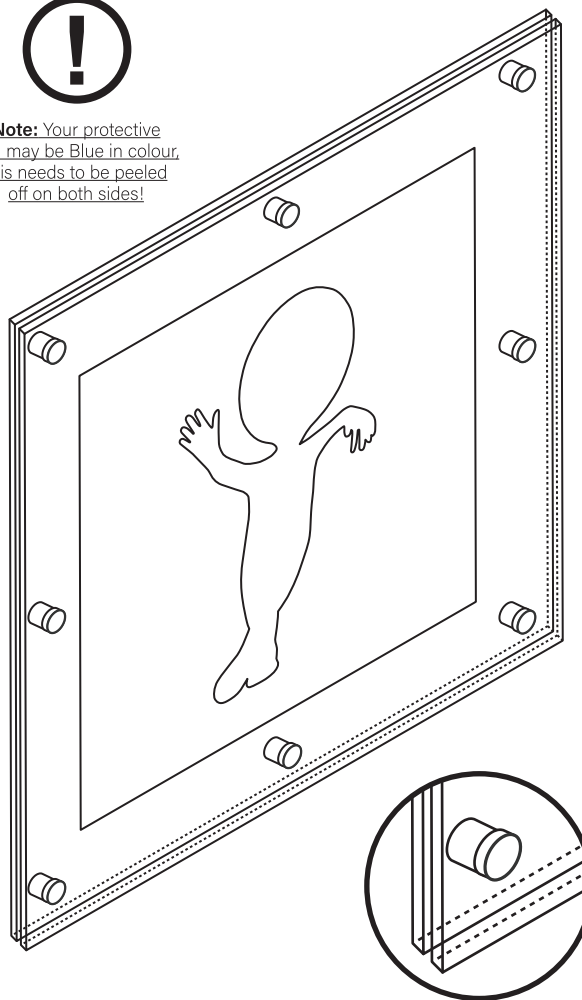


Step Four

Sandwich your two pieces of acrylic together (get some help with this) and position over your stand-offs. Find your stand-off bolts now and put one in each corner to secure your frame temporarily so you can let go and stand back to see how it looks.



Note: Your protective film may be Blue in colour, this needs to be peeled off on both sides!



Step Five

Carefully add all stand-off bolts twisting to finger tightness ensuring you are happy your frame is secure. Take a dry lint-free cloth and remove any greasy finger marks. Enjoy your acrylic frame!

Bespoke, Made To Measure Acrylic Picture Frames

Display your photographs and artwork in a wall mounted acrylic photo frame made to the size you require. We cut 3-4mm thick crystal clear acrylic to the sizes you need and you can choose your own fittings from our menu above to create the display you want.

Acrylic frames make changing your displays easy and quick to do. Your made-to-measure acrylic frame will consist of 2 pieces of acrylic to create a lovely effect as there is nothing to distract from your artwork and images contained within appear to float on any wall.

NB: The wall fixing screws (are not) included in your kit as there are lots of different interior wall types. You'll need to buy something that will suit your wall type (Plaster, Solid, Brick) and also that will fit inside your metal barrels. Take your fixings with you and visit your local DIY store to find something suitable.



Copyright 2023 Barkstons Plastics. All rights reserved.

Our mailing address is:

Barkston Plastics Ltd
221 Pontefract Lane Cross Green Leeds LS9 0DX



Follow the Plastic People:

Follow us on social media for latest news, products and services

Did you know at The Plastic People we also make and manufacture the following:-

- Secondary Glazing
- Kitchen Splashbacks
- Bathroom Splashbacks
- Shower Wall Panels
- PVC 3D Wall Panels
- Furniture Protectors
- Pictures & Framing
- Plastic Mirrors
- Garden Mirrors
- Child Safe Mirrors
- Horse Mirrors
- Greenhouse Glass & Glazing
- Shed Windows
- Cold Frame Glazing
- Plastic Sheds
- Patio Covers
- Polycarbonate Roofing
- Protective Screens

www.theplasticpeople.co.uk